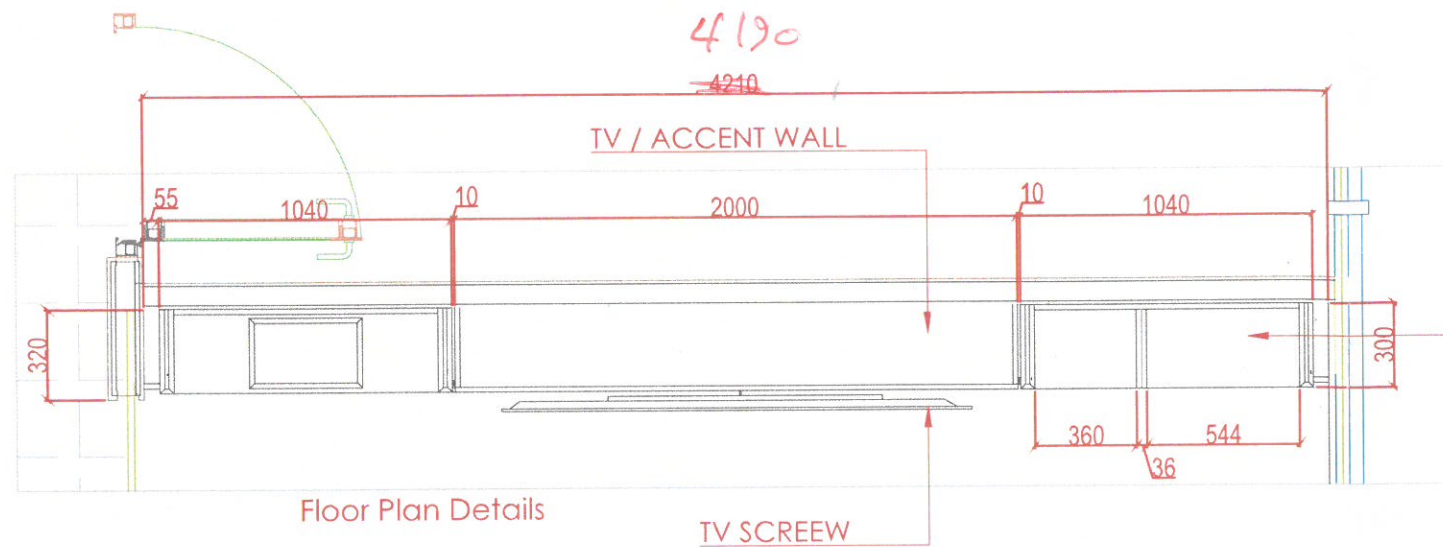


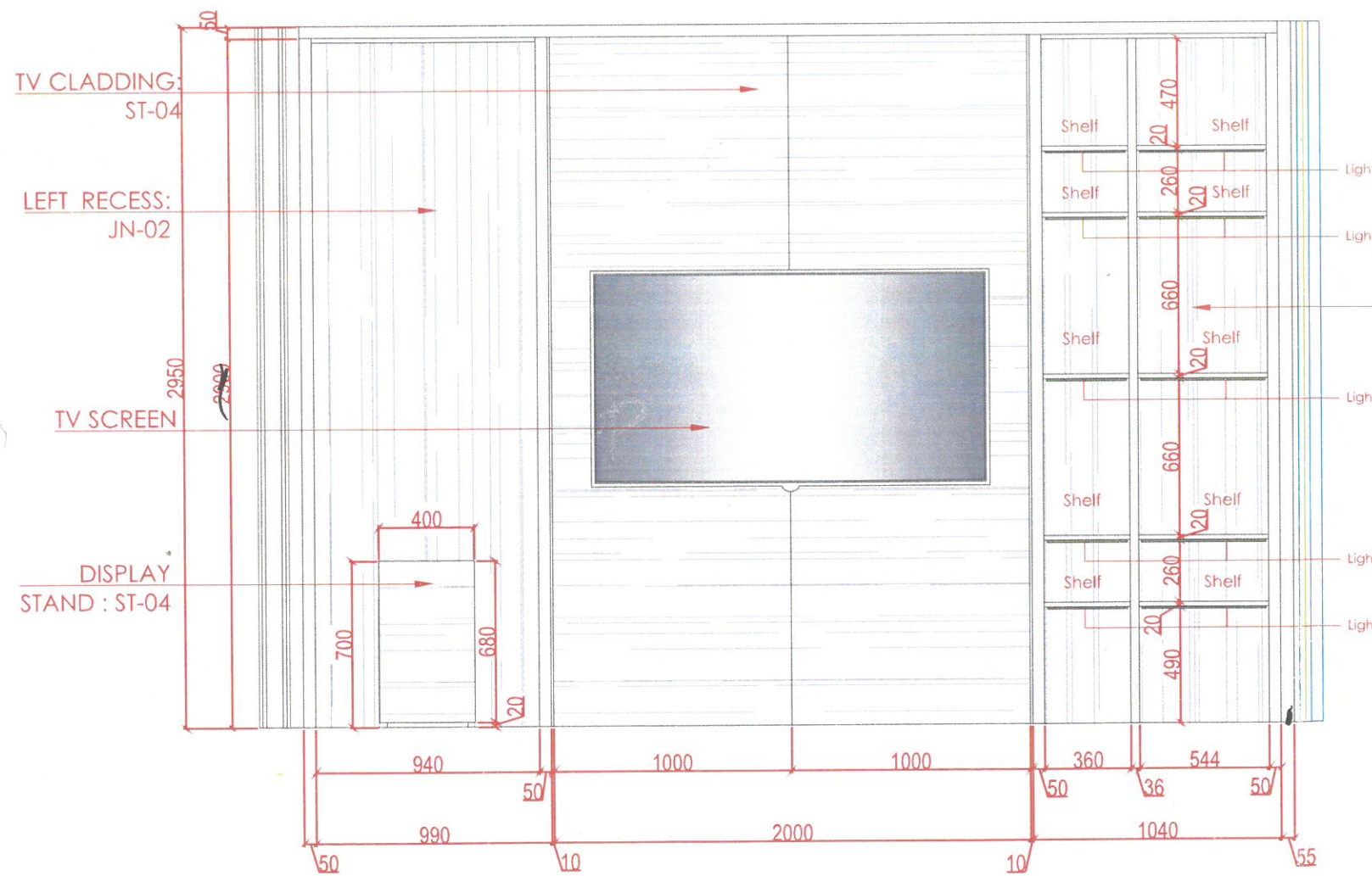
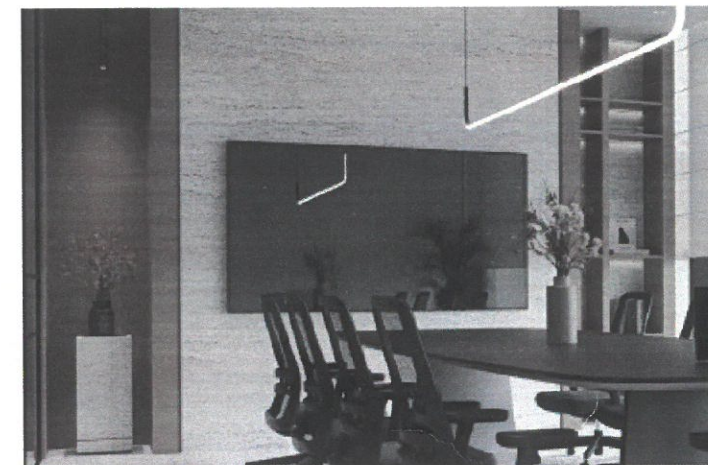
Conference Room 1

TV / ACCENT WALL

3rd Floor



LEFT & RIGHT
RECESS: JN-02 TV
CLADDING: ST-04

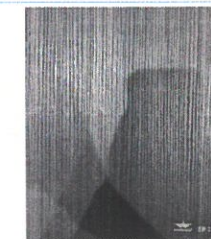


RIGHT RECESS:
JN-02

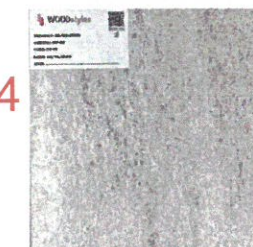
LED LIGHT

FINISHES

JN-02



ST-04



Owner

Date Description
DSD-V1-ID-27/1/2025 - REV1

Project No. : ---
Scale : N/A
Drawn by : OBJ
Checked : OBJ
Cad File : CAD_FILE

Sheet title
3rd FLOOR
Conference Room 1
TV / ACCENT WALL
Plan, Elevation and side view

Dwg No. No.
WS-DS-SD-ND-056 SHEET 1

FOR APPROVAL